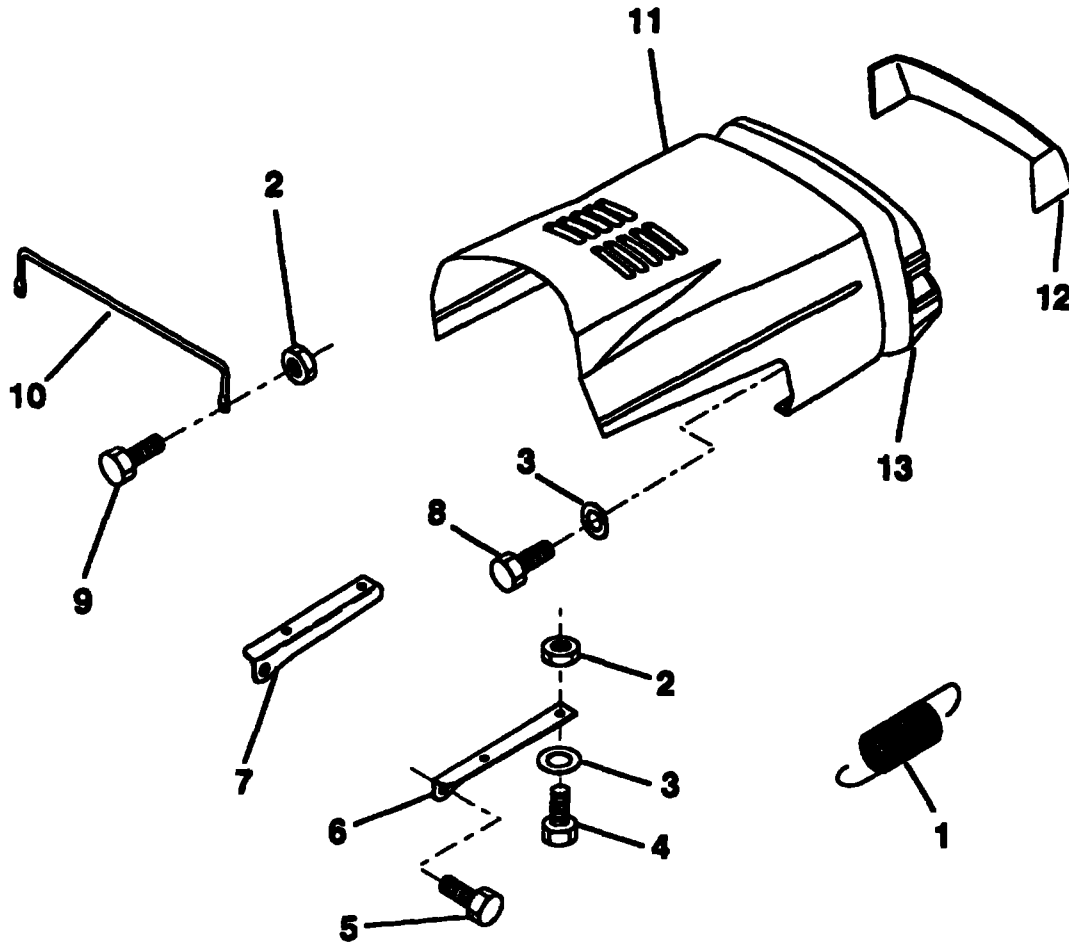


INDEX

CONTENTS	PAGE REF.
HOOD	A
FENDER/CHASSIS	B
SEAT	C
DASH	D
STEERING WHEEL	E
SECTOR GEAR/AXLESUPPORT	F
FRONT AXLE	G
BRAKE/MOWER LIFT ASSY.	H
ENGINE/THROTTLE	I
GROUND DRIVE	J
MOWER LIFT LEVER	K
TRANSAXLE	L
LABELS/WHEELS	M
MOWER DECK	N
ELECTRICAL	O

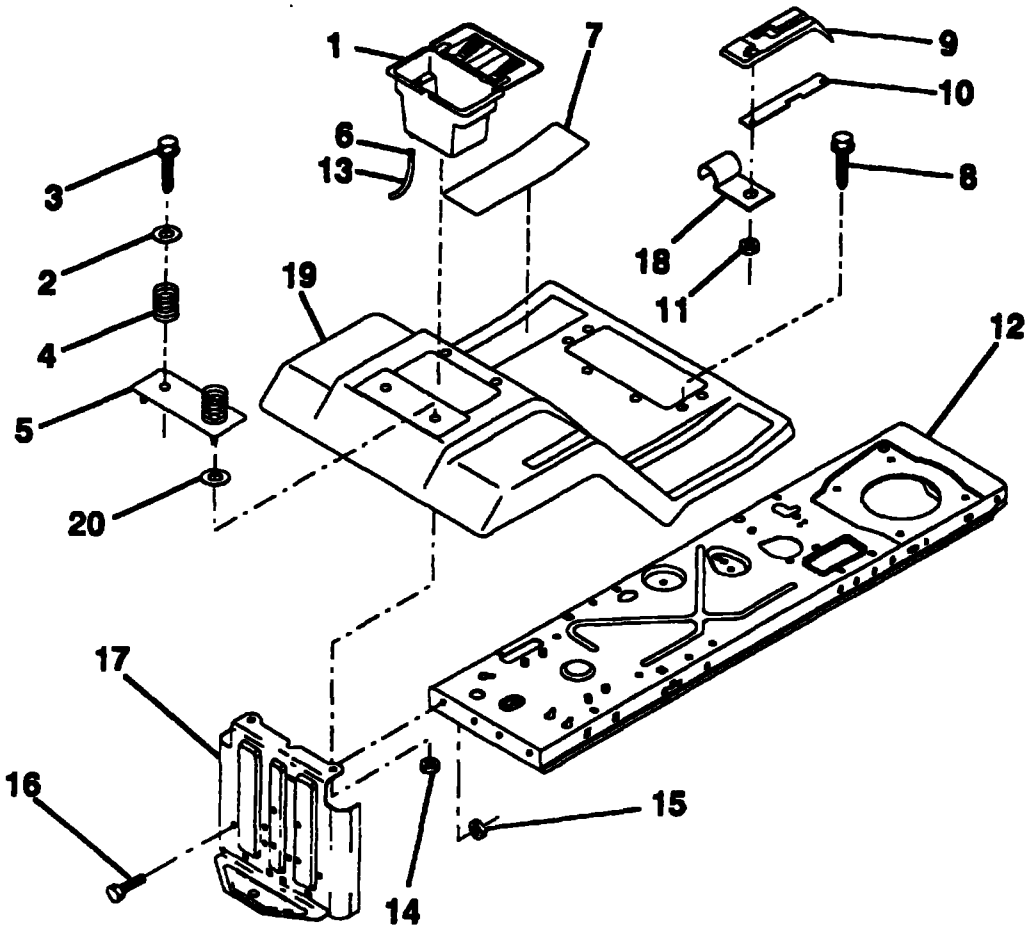
HOOD



KEY	PART NUMBER	DESCRIPTION	QTY	KEY	PART NUMBER	DESCRIPTION	QTY
01	5321246-57/0	Spring, extension	2	09	8747804-12/1	Bolt, hex	2
02	8735104-00/5	Nut, hex	6	10	5321236-93/6	Brace, hood	1
03	8190910-16/9	Washer	2	11	5321248-22/0	Hood	1
04	8747804-10/5	Bolt, hex	4	12	5321248-25/3	Lens, plate, grill	1
05	5321266-75/0	Bolt, shoulder	2	13	5321257-19/7	Grill	1
06	5321225-49/1	Bracket, hood, r.h.	1				
07	5321225-48/3	Bracket, hood, l.h.	1				
08	8174113-10/3	Screw, hex	2				

ALL HARDWARE IS SHOWN LARGER FOR IDENTIFICATION PURPOSES

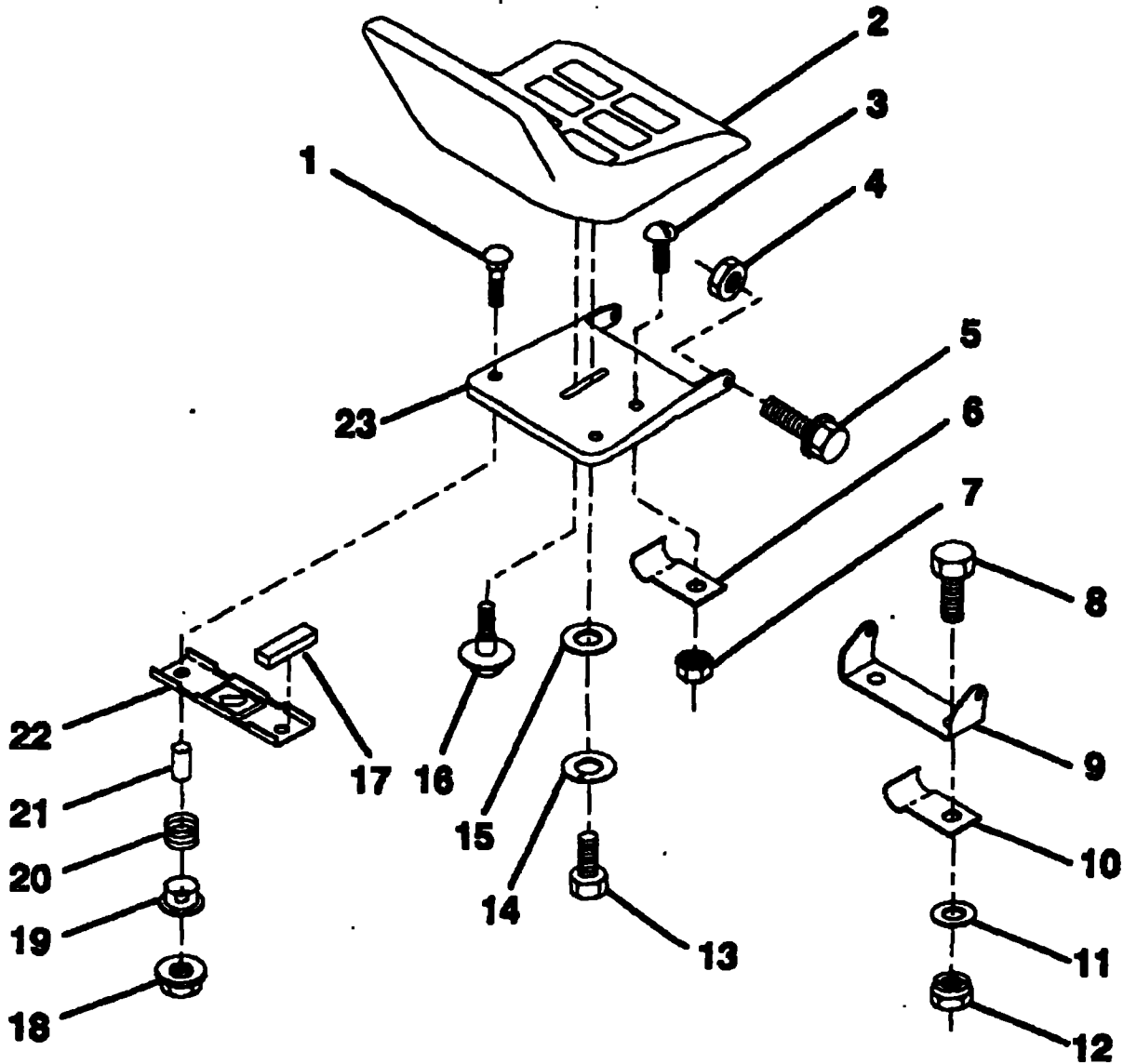
FENDER/CHASSIS



KEY	PART NUMBER	DESCRIPTION	QTY	KEY	PART NUMBER	DESCRIPTION	QTY
01	5321299-65/2	Case, battery	1	12	5321236-45/6	Assembly, frame	1
02	8191320-12/9	Washer	2	13	5321056-87/0	Tube, battery drain	1
03	8174906-12/6	Screw, hex washer head	2	14	8736904-00/7	Nut, crownlock	1
04	5321241-81/1	Spring, compression, seat	2	15	8736805-00/6	Nut, crownlock	1
05	5321251-52/1	Plate assembly, battery	1	16	8747605-12/2	Bolt, hex head	4
06	5321095-96/9	Clamp, hose	1	17	5321278-80/5	Drawbar	1
07	5321241-44/9	Pad, footrest	2	18	5321264-70/6	Clip, insulated	1
08	8174905-12/8	Screw, hex washer head	6	19	5321251-51/3	Fender/footrest	1
09	5321269-95/2	Console, shift control	1	20	8190914-13/8	Washer	2
10	5321243-07/2	Bar, shift lock	1				
11	5321243-46/0	Nut, self-threading	1				

ALL HARDWARE IS SHOWN LARGER FOR IDENTIFICATION PURPOSES

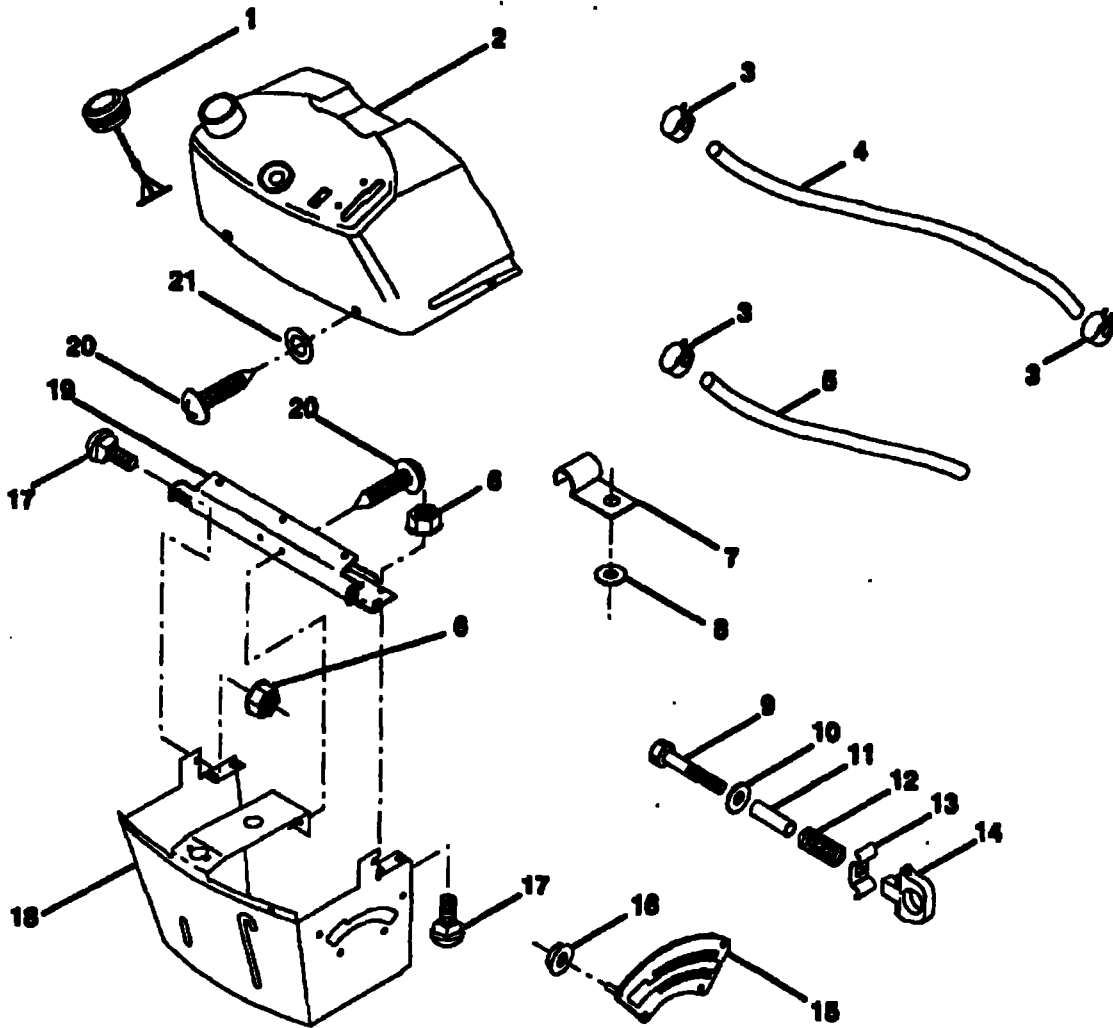
SEAT



KEY	PART NUMBER	DESCRIPTION	QTY	KEY	PART NUMBER	DESCRIPTION	QTY
01	8721704-10/7	Bolt, carriage	2	13	8747808-14/8	Bolt, hex	1
02	5321274-23/4	Seat	1	14	8100408-00/7	Washer, lock,	1
03	8746410-08/6	Screw, slotted pan head	1	15	8191719-12/2	Washer	1
04	8736805-00/6	Nut, crownlock	2	16	5321270-18/2	Bolt, shoulder	1
05	5321055-29/4	Bolt, shoulder	2	17	5321212-51/5	Strip, foam	2
06	5321249-67/3	Clip, insulated	1	18	5321239-76/5	Locknut, hex, flange, large	2
07	8739510-00/9	Nut, keps	1	19	5321212-48/1	Bushing, snap	2
08	8747606-12/0	Bolt, hex	2	20	5321212-50/7	Spring, compression	2
09	5321266-56/0	Bracket, pivot, seat	1	21	5321212-49/9	Spacer, split, large	2
10	5321264-71/4	Clip, insulated	1	22	5321212-46/5	Bracket, switch, mounting	1
11	8191312-10/0	Washer	2	23	5321242-94/2	Pan, seat	1
12	8736806-00/4	Nut, crownlock	2				

ALL HARDWARE IS SHOWN LARGER FOR IDENTIFICATION PURPOSES

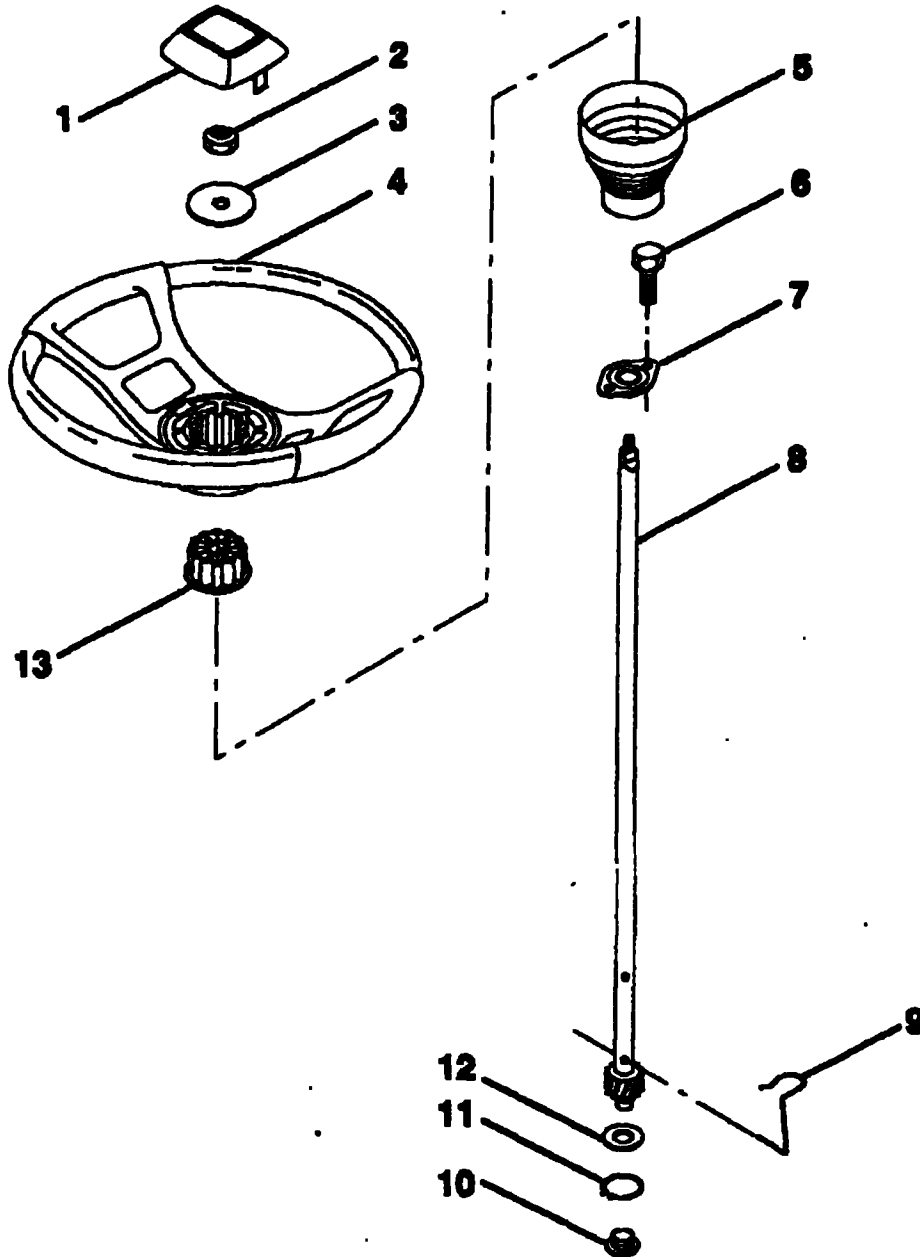
DASH



KEY	PART NUMBER	DESCRIPTION	QTY	KEY	PART NUMBER	DESCRIPTION	QTY
01	5321220-15/3	Cap, fuel	1	13	5321264-50/8	Clip, height adjustment	1
02	5321309-13/9	Dash and fuel tank assembly	1	14	5321261-15/7	Knob, height stop	1
03	5321234-87/3	Clamp, hose	3	15	5321220-23/7	Adjustment, quadrant height	1
04	5320085-44/1	Line, fuel	1	16	5321243-46/0	Nut, self-threading	2
05	5320085-48/2	Line, fuel	1	17	8721104-04/3	Bolt, carriage	2
06	8735104-00/5	Nut, hex, keps	2	18	5321307-45/5	Support assembly, dash	1
07	5321249-96/2	Clip, fuel line	1	19	5321307-22/4	Brace, cross	1
08	8190912-16/5	Washer	1	20	8180004-08/0	Screw, self-tapping	4
09	8747604-28/1	Bolt, hex	1	21	8190908-16/3	Washer	4
10	8190914-13/8	Washer	1				
11	5321212-49/9	Spacer, split	1				
12	5320037-20/2	Spring	1				

ALL HARDWARE IS SHOWN LARGER FOR IDENTIFICATION PURPOSES

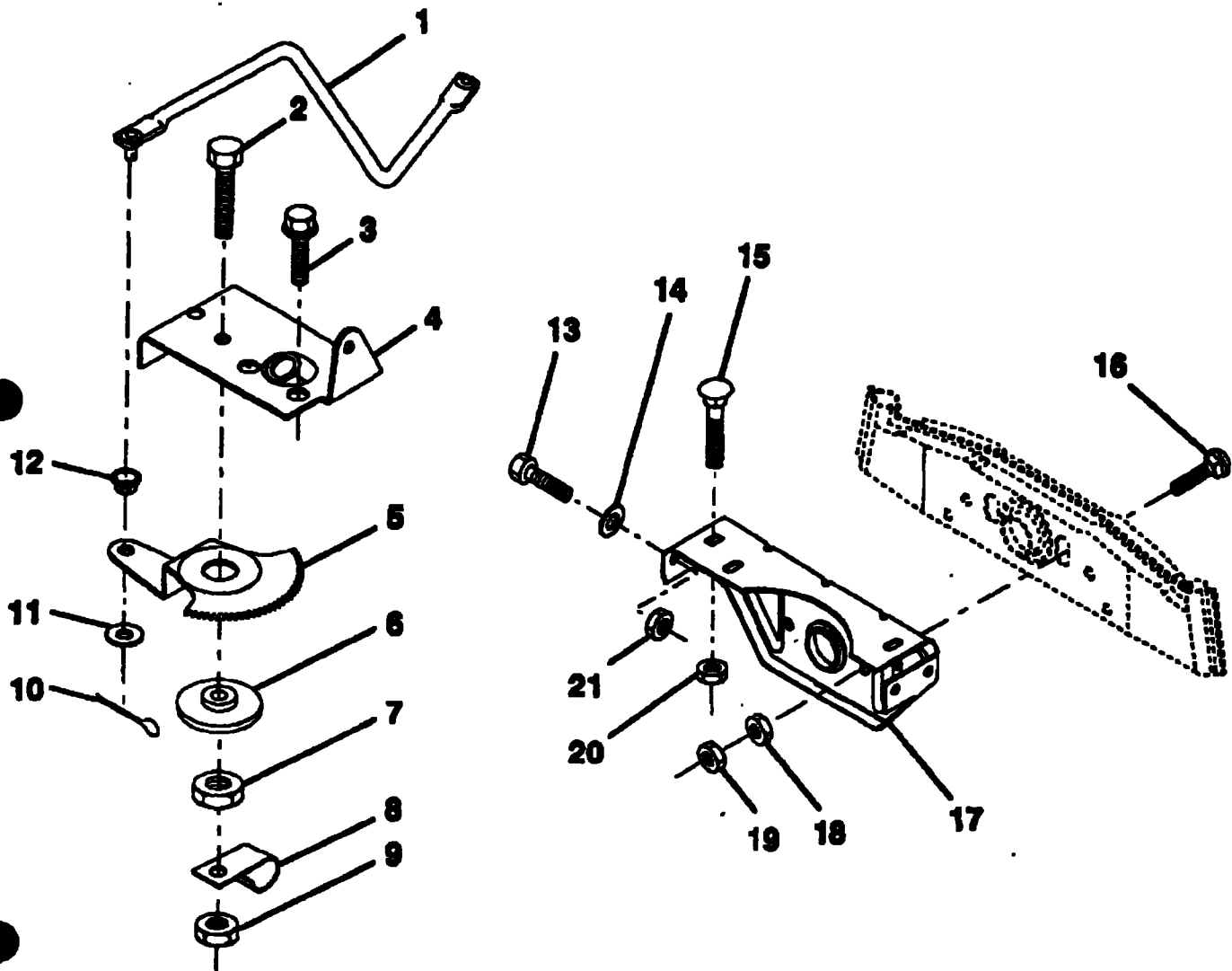
STEERING WHEEL



KEY	PART NUMBER	DESCRIPTION	QTY	KEY	PART NUMBER	DESCRIPTION	QTY
01	5321007-10/5	Insert, steering wheel	1	09	5321242-10/8	Clip, steering	1
02	5321247-01/6	Locknut	1	10	5321234-38/6	Bushing, lower, steering	1
03	8191338-08/9	Washer	1	11	8120000-45/3	Ring, retaining	1
04	5321007-13/9	Steering wheel	1	12	8192116-16/1	Washer	1
05	5321218-97/5	Sleeve, steering	1	13	5321048-20/8	Adaptor, steering wheel	1
06	8174310-08/9	Screw, hex	2				
07	5321028-03/6	Bushing, steering	1				
08	5321238-51/4	Shaft, steering	1				

ALL HARDWARE IS SHOWN LARGER FOR IDENTIFICATION PURPOSES

SECTOR GEAR/AXLE SUPPORT



KEY	PART NUMBER	DESCRIPTION	QTY	KEY	PART NUMBER	DESCRIPTION	QTY
01	5321240-93/8	Link, drag	1	12	5321268-47/5	Bushing	1
02	8747808-28/8	Bolt, hex	1	13	8747605-12/2	Bolt, hex head	2
03	8174905-08/6	Screw, hex	1	14	8191114-16/7	Washer	2
04	5321219-25/4	Plate, steering support	1	15	8721106-06/3	Bolt, carriage	2
05	5321219-26/2	Gear, sector	1	16	8721406-22/4	Bolt, carriage	2
06	5321219-27/0	Bushing	1	17	5321219-12/2	Support, front axle	1
07	8730308-00/7	Nut, hex, heavy, top lock	1	18	8732206-00/1	Nut, hex	2
08	5321264-72/2	Clip, insulated	1	19	8739306-00/2	Nut, centerlock	2
09	8736808-00/0	Nut, crownlock	1	20	8736806-00/4	Nut, crownlock	2
10	8760204-12/6	Pin, cotter	1	21	8736805-00/6	Nut, crownlock	2
11	8191313-16/5	Washer	1				

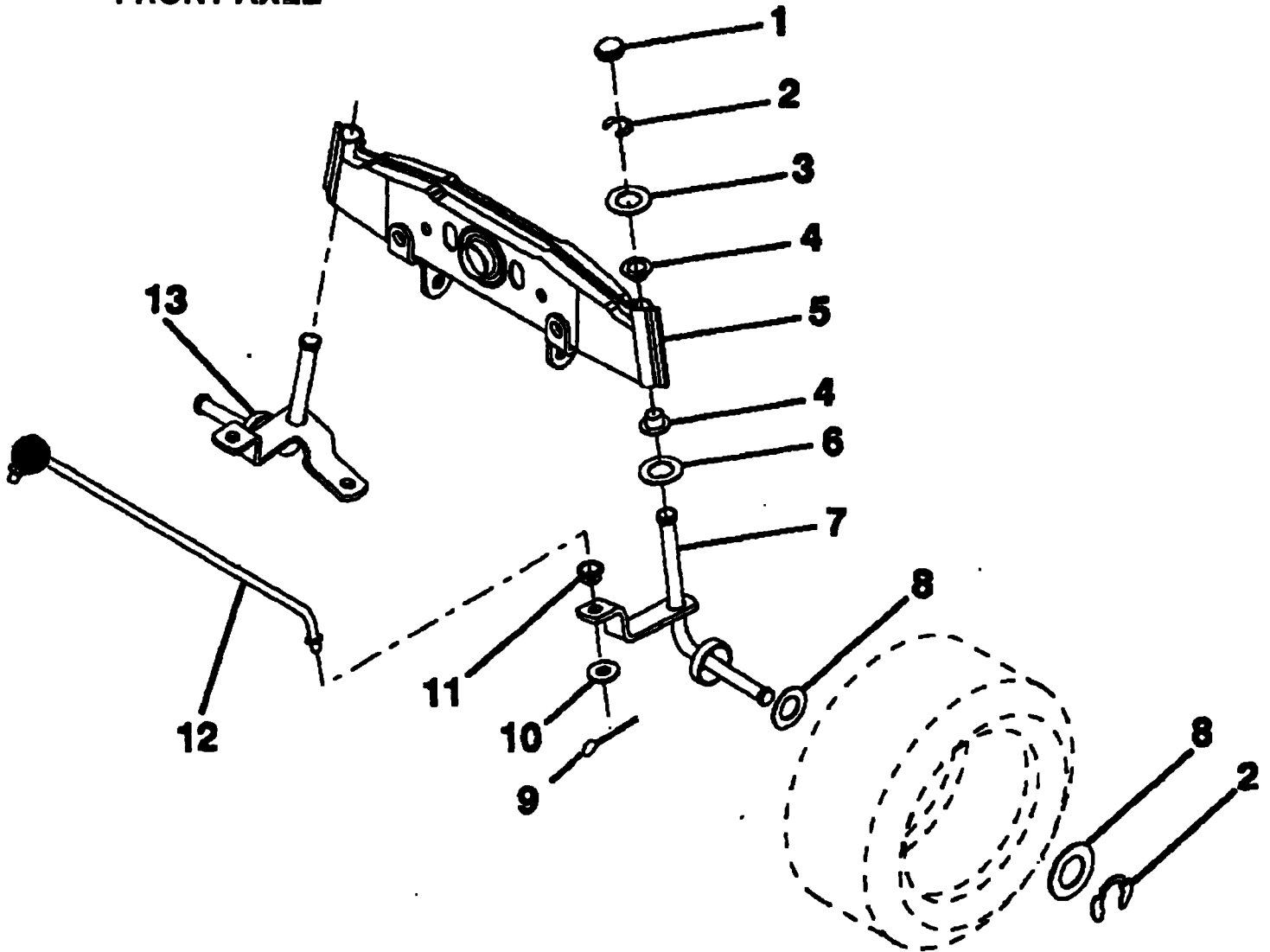
ALL HARDWARE IS SHOWN LARGER FOR IDENTIFICATION PURPOSES

Flymo

Lawn Tractor LT 12/36

9540041-41

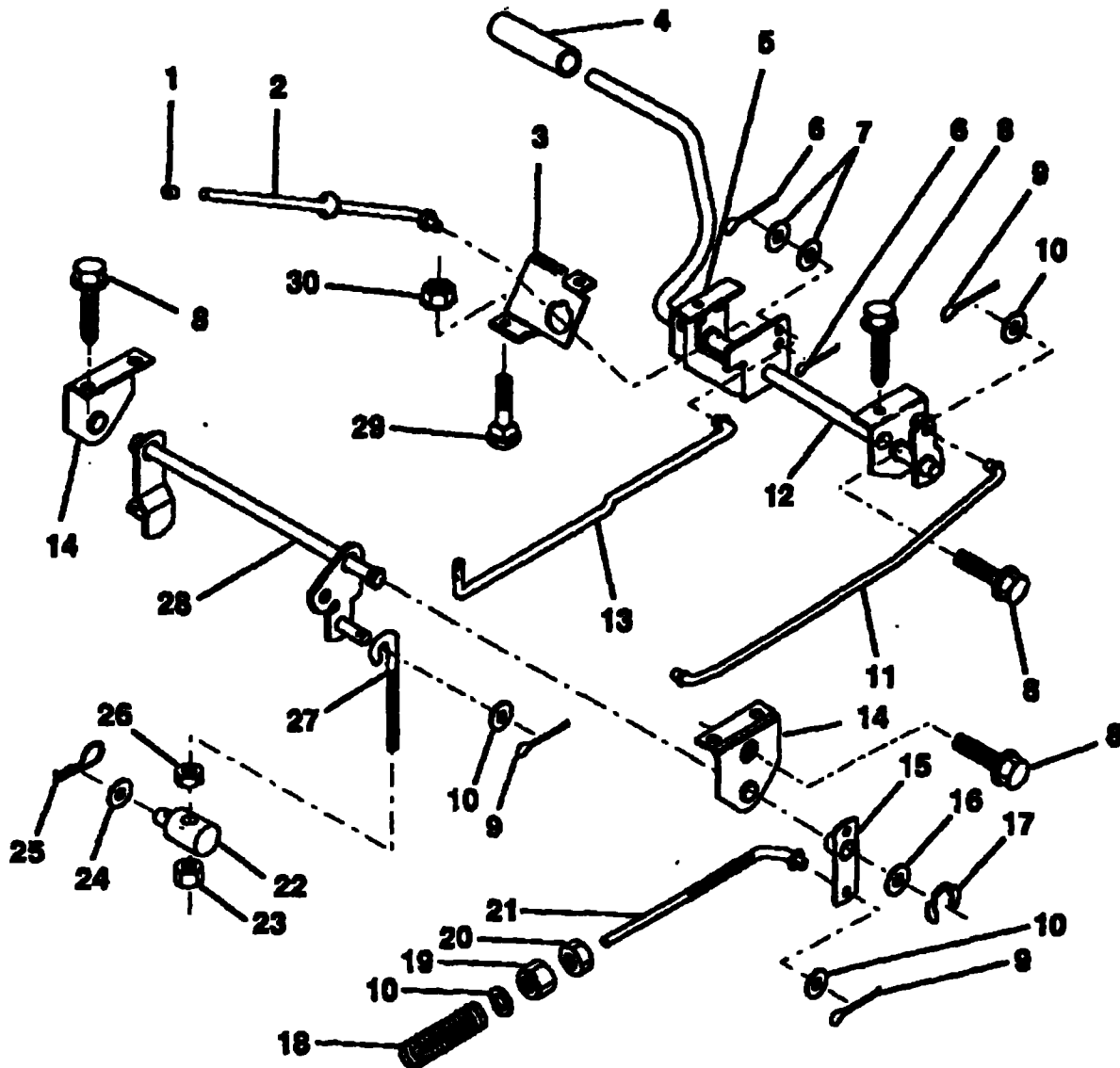
FRONT AXLE



KEY	PART NUMBER	DESCRIPTION	QTY	KEY	PART NUMBER	DESCRIPTION	QTY
01	5321212-32/5	Cap, spindle	2	09	8760204-12/6	Pin, cotter	2
02	8120000-29/7	Ring, clip	4	10	8191313-16/5	Washer	2
03	5321217-48/0	Washer	2	11	5321268-47/5	Bushing	2
04	5321219-22/1	Nyliner	4	12	5321219-24/7	Rod, tie	1
05	5321265-43/8	Axle, front	1	13	5321219-16/3	Spindle assembly, l.h.	1
06	5320062-66/3	Bearing, thrust	2				
07	5321219-19/7	Spindle assembly, r.h.	1				
08	5321217-49/8	Washer	4				

ALL HARDWARE IS SHOWN LARGER FOR IDENTIFICATION PURPOSES

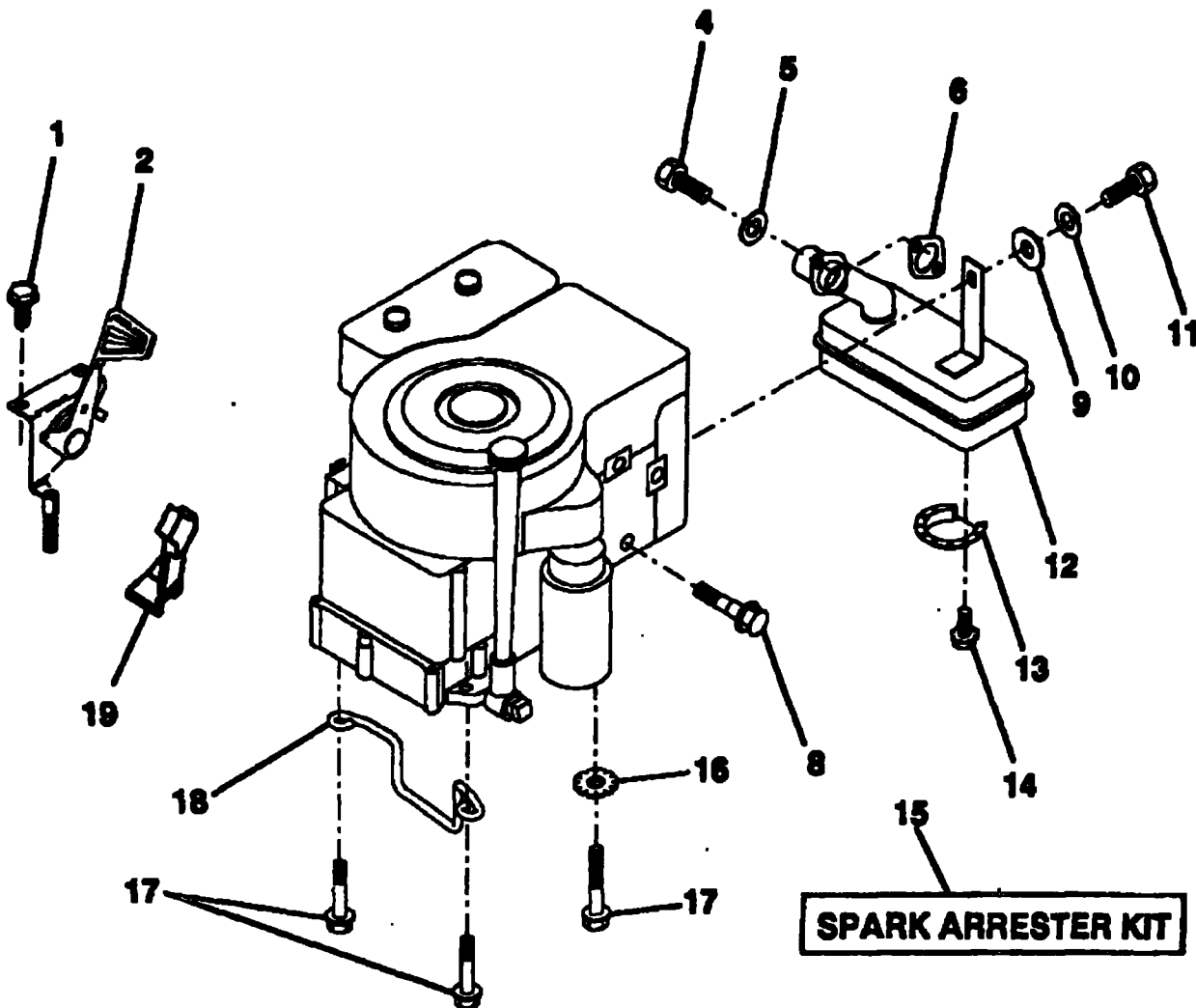
BRAKE/MOWER LIFT ASSY.



KEY	PART NUMBER	DESCRIPTION	QTY	KEY	PART NUMBER	DESCRIPTION	QTY
01	5320716-73/0	Cap, plunger	1	17	8120000-34/7	Ring, ktip	1
02	5321234-36/0	Rod, parking brake	1	18	5321068-88/3	Spring, brake rod	1
03	5321234-37/8	Bracket, parking brake	1	19	8738006-00/9	Locknut, hex with washer insert	2
04	5321248-72/5	Cover, pedal	1	20	8733506-00/3	Nut, hex, jam	1
05	5321225-04/6	Bracket, clutch/brake pedal l.h.	1	21	5321314-60/0	Rod, brake, rear	1
06	8760203-12/8	Pin, cotter	2	22	5321273-78/0	Trunnion, lift	1
07	8191310-16/1	Washer	2	23	8736806-00/4	Nut, crownlock	2
08	8174905-08/6	Screw, hex	8	24	8191320-12/9	Washer	1
09	8760204-12/6	Pin, cotter	3	25	5321249-61/6	Spring, retainer	1
10	8191313-16/5	Washer	3	26	8739306-00/2	Nut, centerlock	1
11	5321235-43/3	Rod, brake, front	1	27	5321273-69/9	Link, threaded	1
12	5321295-67/6	Assembly, clutch/brake pedal	1	28	5321273-56/2	Assembly, rear mower lift	1
13	5321233-94/1	Rod, clutch	1	29	8721105-06/5	Bolt, carriage	1
14	5321219-78/3	Bracket, lift shaft	1	30	8735105-00/2	Nut, caps	1
15	5321236-41/5	Assembly, brake, pivot, arm	1				
16	8192518-16/8	Washer	1				

ALL HARDWARE IS SHOWN LARGER FOR IDENTIFICATION PURPOSES

ENGINE/THROTTLE



KEY	PART NUMBER	DESCRIPTION	QTY	KEY	PART NUMBER	DESCRIPTION	QTY
01	8177204-08/1	Screw, hex, thread	2	12	5321236-76/1	Muffler	1
02	5321325-52/1	Control, throttle	1	13	5321013-26/9	Deflector, muffler	1
04	8710705-12/3	Screw, hex, cap	2	14	8170308-08/7	Screw, spiderlock, hex head	1
05	8100405-00/3	Washer, lock	2	15	5321218-51/2	Arrester, spark	1
06	5321255-93/6	Gasket, exhaust	1	16	8110506-00/6	Washer, lock, external tooth	1
08	5321210-94/9	Bolt, shoulder	1	17	8174906-24/1	Screw, hex washer head	3
09	8191012-16/3	Washer	1	18	5321266-36/2	Keeper, ground drive belt	1
10	8100404-00/6	Washer, lock	1	19	5321330-97/8	Stop, throttle	1
11	8747804-12/1	Bolt, hex, fin	1				

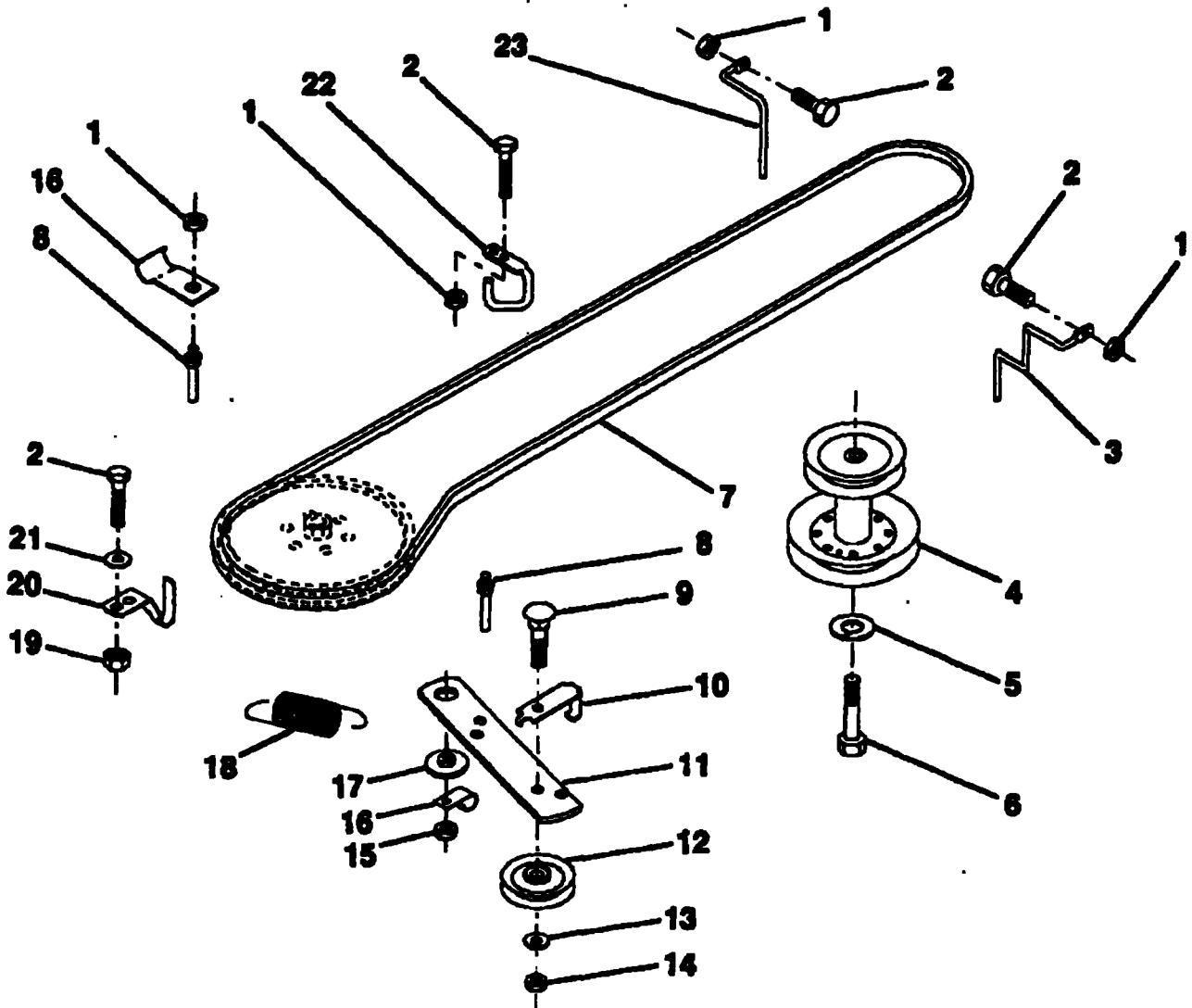
ALL HARDWARE IS SHOWN LARGER FOR IDENTIFICATION PURPOSES

Flymo

Lawn Tractor LT 12/36

9540041-41

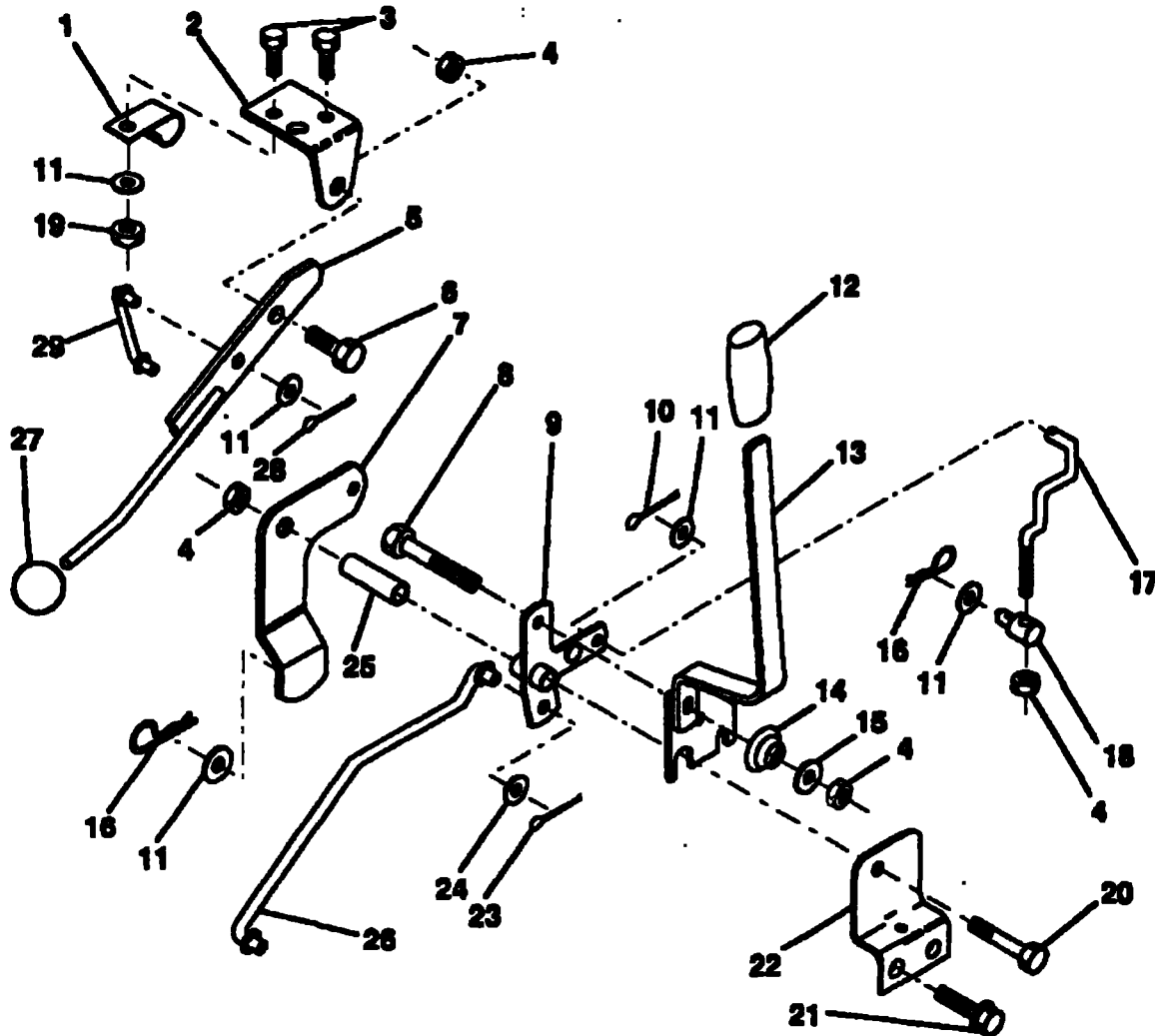
GROUND DRIVE



KEY	PART NUMBER	DESCRIPTION	QTY	KEY	PART NUMBER	DESCRIPTION	QTY
01	8736805-00/6	Nut, crownlock	4	14	8739336-00/2	Nut, centerlock	1
02	8747605-12/2	Bolt, hex head	4	15	87360806-00/4	Nut, crownlock	1
03	5321312-05/9	Keeper, mower drive belt r.h.	1	16	5321254-71/4	Clip, insulated	2
04	5321310-04/6	Pulley, engine	1	17	5321220-52/6	Spacer, retainer	1
05	8100407-00/9	Washer, lock	1	18	5321314-59/2	Spring, extension	1
06	8711307-20/0	Bolt, hex, fin	1	19	8735105-00/2	Nut, keps	1
07	5321265-20/8	Traction, v-belt drive	1	20	5321239-91/8	Keeper, T/A ground drive belt	1
08	5321234-05/5	Keeper, T/A ground drive belt	1	21	8191110-16/5	Washer	1
09	8721406-12/5	Bolt, carriage	1	22	5321234-04/8	Keeper, frame, ground drive belt	1
10	5321233-96/6	Keeper, belt, ground drive idler	1	23	5321312-04/2	Keeper, mower drive, l.h.	1
11	5321233-95/8	Arm, ground drive clutch	1				
12	5320048-59/7	Idler, flat	1				
13	8191313-16/5	Washer	1				

ALL HARDWARE IS SHOWN LARGER FOR IDENTIFICATION PURPOSES

MOWER LIFT LEVER



KEY	PART NUMBER	DESCRIPTION	QTY	KEY	PART NUMBER	DESCRIPTION	QTY
01	5321264-70/6	Clip, insulated	1	16	5321249-61/6	Retainer, spring	1
02	5321220-18/7	Bracket, mower clutch	1	17	5321273-59/0	Link, front lift	1
03	8747804-08/9	Bolt, hex, fin	2	18	5321332-05/7	Trunnion, threaded	1
04	8736806-00/4	Nut, crownlock	4	19	8736804-00/9	Nut, crownlock	1
05	5321234-17/0	Assembly, clutch lever	1	20	8747606-44/3	Bolt, hex, fin	1
06	5321064-51/0	Bolt, shoulder	1	21	8174905-08/6	Screw, hex	2
07	5321234-91/5	Assembly, mower clutch arm	1	22	5321219-29/6	Bracket, mower height	1
08	8747606-36/9	Bolt, hex	1	23	8760204-16/7	Pin, cotter	1
09	5321219-30/4	Bracket, lift assembly	1	24	8191716-16/9	Washer	1
10	8760204-12/6	Pin, cotter	1	25	5321219-33/8	Tube, spacer	1
11	8191313-16/5	Washer	5	26	5321219-34/6	Rod, mower lift	1
12	5321220-27/8	Grip, handle	1	27	5321214-86/9	Knob	1
13	5321270-28/1	Assembly, lift handle	1	28	8760203-12/8	Pin, cotter	1
14	5321234-98/4	Spring, compression	1	29	5321236-71/2	Link, mower clutch	1
15	8191312-12/6	Washer	1				

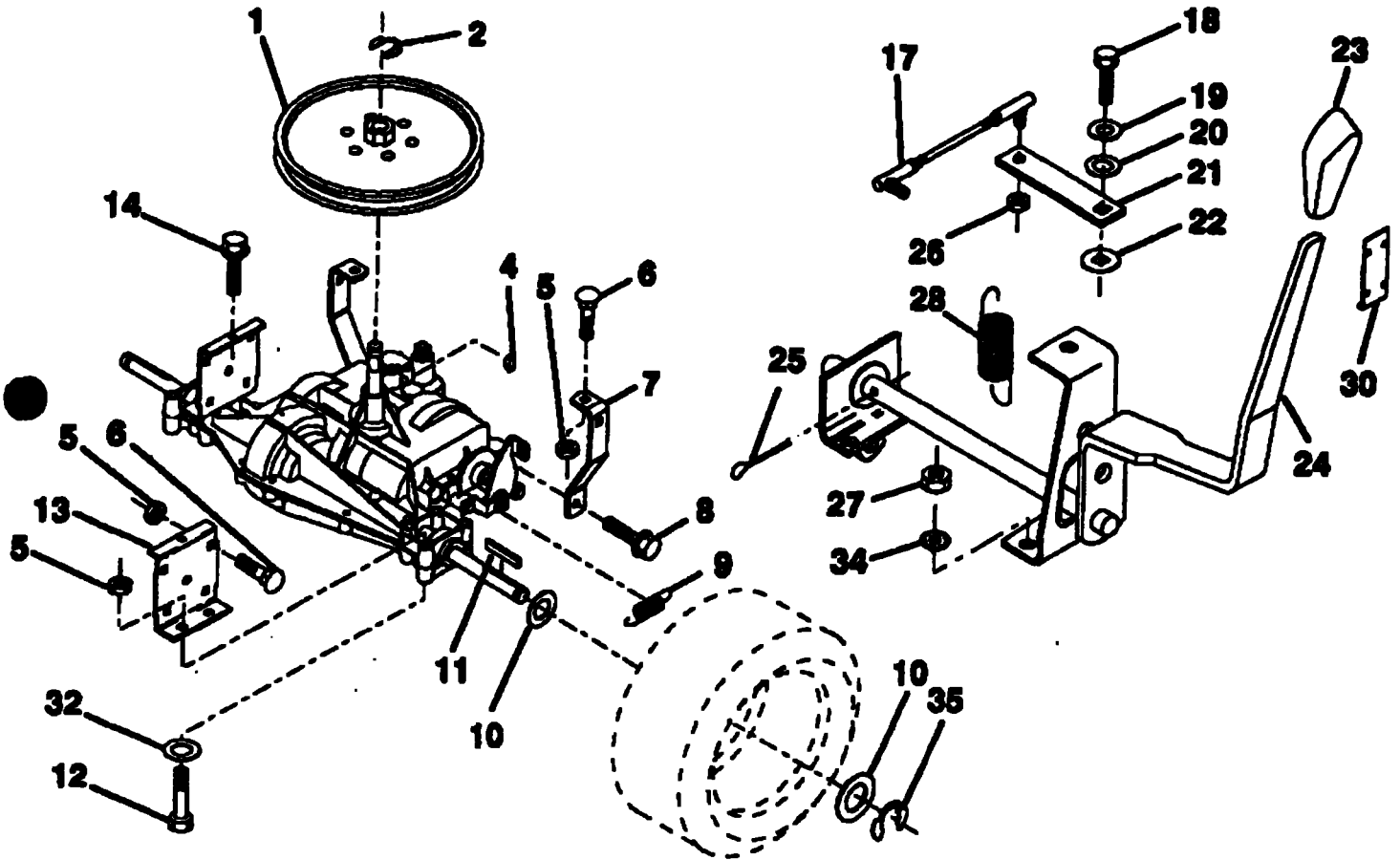
ALL HARDWARE IS SHOWN LARGER FOR IDENTIFICATION PURPOSES

Flymo

Lawn Tractor LT 12/36

9540041-41

TRANSAXLE



KEY	PART NUMBER	DESCRIPTION	QTY	KEY	PART NUMBER	DESCRIPTION	QTY
01	5321233-85/9	Pulley	1	19	8100404-00/6	Washer, lock	1
02	8120000-28/9	Ring, retainer	1	20	8190912-10/8	Washer	1
04	5321250-96/0	Key, woodruff	1	21	5321282-92/4	Arm, shift	1
05	8736805-00/6	Nut, crownlock	10	22	5321057-01/9	Washer, shift plate	1
06	8721405-06/9	Bolt, carriage	6	23	5321220-11/2	Knob, golf club	1
07	5321233-78/4	Strap, torque	2	24	5321282-02/1	Handle, shift assembly	1
08	8174905-08/6	Screw, hex	2	25	8760204-16/7	Pin, cotter	1
09	5321104-22/5	Spring, brake	1	26	8738105-00/9	Nut, hex, nylon	1
10	5321217-49/8	Washer	4	27	8735105-00/2	Nut, keps	2
11	5321235-83/9	Key, square	2	28	5321280-85/0	Spring, extension	1
12	8747805-40/3	Bolt, hex, fin	4	30	5321236-92/8	Knob, retainer	1
13	5321233-77/6	Bracket, transaxle	2	32	8191111-16/3	Washer	4
14	8174905-12/8	Screw	2	34	8110505-00/8	Washer, lock, external tooth	2
17	5321262-93/2	Link, shift	1	35	8120000-01/8	E-ring	2
18	8710404-12/3	Bolt, hex, fin	1				

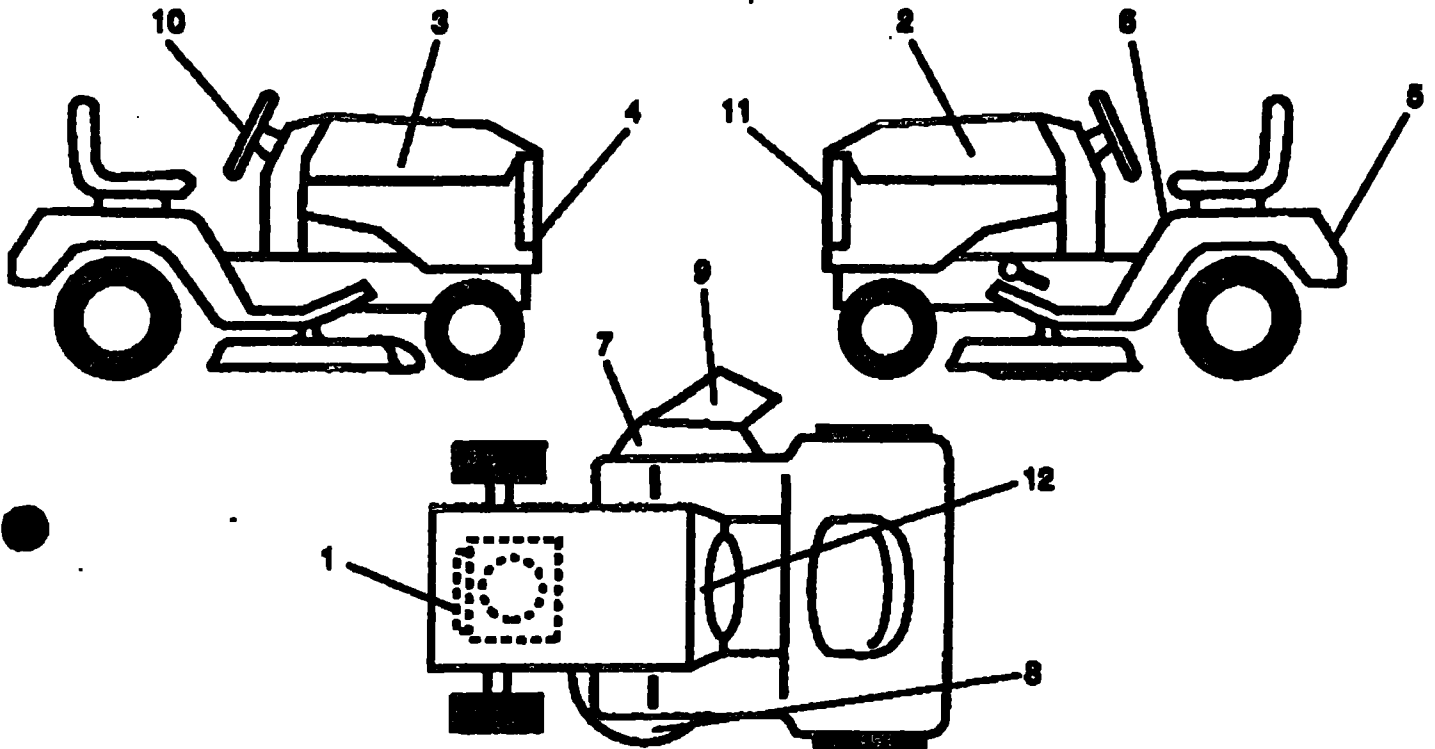
ALL HARDWARE IS SHOWN LARGER FOR IDENTIFICATION PURPOSES

Flymo

Lawn Tractor LT 12/36

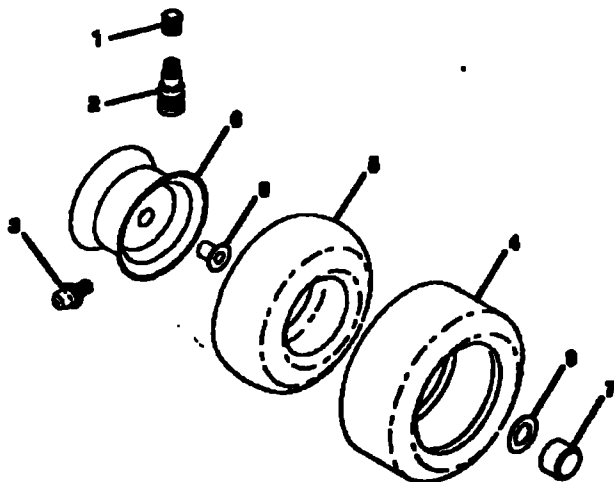
9540041-41

LABELS



KEY	PART NUMBER	DESCRIPTION	QTY	KEY	PART NUMBER	DESCRIPTION	QTY
01	5321206-01/2	Decal, HP, engine	1	09	5321261-94/2	Decal, caution, deflector	1
02	5321265-03/4	Decal, hood l.h.	1	10	5321264-30/0	Decal, logo, steering wheel cap	1
03	5321265-04/2	Decal, hood r.h.	1	11	5321262-41/1	Decal, stripe, grill	1
04	5321264-29/2	Decal, logo, grill	1	12	5321261-96/7	Decal, rotating blades	1
05	5321256-90/0	Decal, 100 DBA	1				
06	5321089-74/1	Decal, instruction, warning	1				
07	5321261-92/6	Decal, warning, cut finger	1				
08	5321267-12/1	Decal, instruction/operation	1				

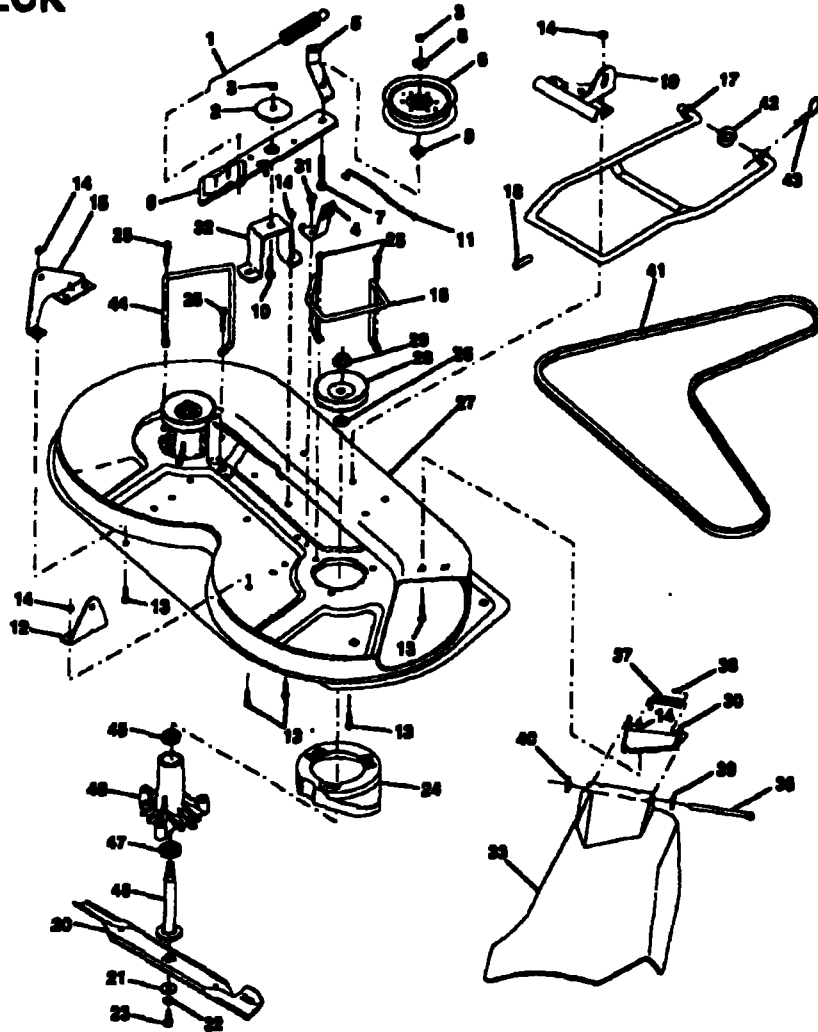
WHEELS



KEY	PART NUMBER	DESCRIPTION	QTY
01	5320591-92/7	Cap, valve	4
02	5320651-39/0	Stem, valve	4
03	5321249-57/4	Fitting, grease	4
04	5321234-10/5	Tyre, front	2
	5321234-11/3	Tyre, rear	2
05	5320599-04/5	Tube, tyre, front	2
	5320081-34/1	Tube, tyre, rear	2
06	5321248-09/7	Rim, front	2
	5321248-05/5	Rim, rear	2
07	5321047-57/2	Cap, axle, front and rear	4
08	5321249-59/0	Bearing, flange	2
09	5321217-48/0	Washer	4

ALL HARDWARE IS SHOWN LARGER FOR IDENTIFICATION PURPOSES

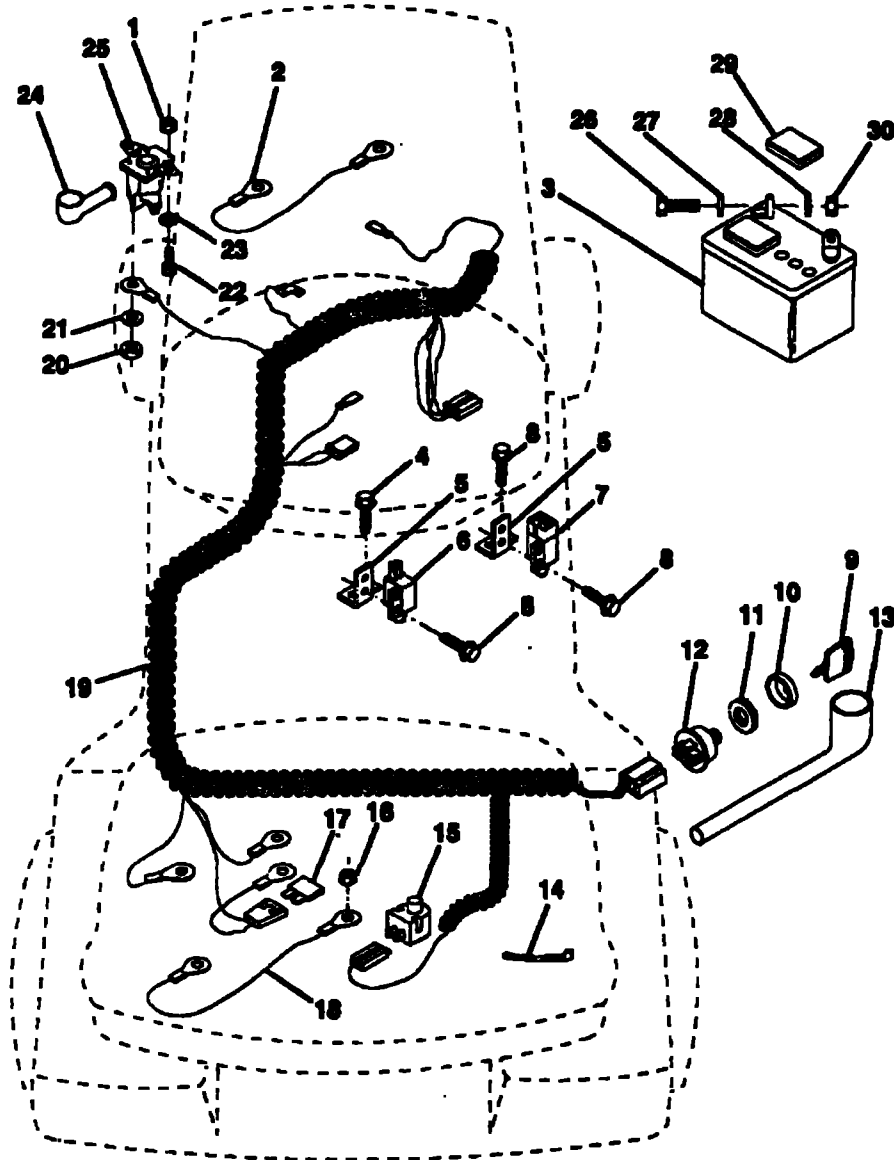
MOWER DECK



KEY	PART NUMBER	DESCRIPTION	QTY	KEY	PART NUMBER	DESCRIPTION	QTY
01	5321277-43/5	Spring, mower clutch	1	26	5321299-63/7	Washer	2
02	5321220-52/6	Spacer, retainer	1	27	5321299-63/5	Deck assembly	1
03	8736806-00/4	Nut, crownlock	2	28	5321292-07/9	Pulley, mandrell	2
04	5321308-40/4	Brake assembly	2	29	8730409-00/3	Nut, flangelock	2
05	5321312-51/3	Guide, belt idler	1	30	5321263-61/7	Bracket assembly, deflector	1
06	5321213-16/6	Pulley, flat idler	1	31	8174905-08/6	Screw, hex washer head	2
07	8721106-16/2	Bolt, carriage	1	32	5321220-51/8	Arm, support idler, mower	1
08	8191314-10/6	Washer	2	33	5321315-60/7	Deflector	1
09	5321277-44/3	Arm assembly, idler, mower	1	36	5321219-80/9	Rod, hinge	1
10	8721106-08/9	Bolt, carriage	1	37	5321237-13/2	Spring, torsion deflector	1
11	5321308-41/2	Rod, brake	1	38	5321053-04/2	Cap, sleeve	2
12	5321273-56/6	Bracket, lift, rear, r.h.	1	39	8191110-16/5	Washer	1
13	8721405-05/1	Bolt, carriage	8	40	5321104-52/2	Pushnut	1
14	8736806-00/6	Nut, crownlock	8	41	5321312-64/6	V-belt	1
15	5321273-57/4	Bracket, lift, rear, l.h.	1	42	8191716-16/9	Washer	1
16	5321308-37/0	Keeper, belt, r.h.	1	43	5321246-60/4	Retainer, spring	1
17	5321285-08/1	Link assembly, mower stabilizer	1	44	5321308-36/2	Keeper, l.h.	1
18	5321285-11/5	Pin, drive	1	45	5321104-85/2	Bearing	2
19	5321273-80/6	Bracket assembly, front	1	46	5321307-94/3	Mandrel assembly	1
20	5321278-41/7	Blade	2	47	5321298-95/1	Bearing	2
21	5321299-62/9	Washer, hard	2	48	5321282-85/8	Shaft, mandrel	2
22	8100308-00/3	Washer, lock	2				
23	5328508-57/6	Bolt	2				
24	5321289-61/2	Stripper	2				
25	5320781-58/5	Bolt	4				

ALL HARDWARE IS SHOWN LARGER FOR IDENTIFICATION PURPOSES

ELECTRICAL



KEY	PART NUMBER	DESCRIPTION	QTY	KEY	PART NUMBER	DESCRIPTION	QTY
01	8735104-00/5	Nut, hex, keps	2	17	5321088-24/6	Fuse	1
02	5321084-23/7	Assembly, cable	1	18	5321283-53/2	Assembly, cable	1
03	5321212-65/5	Battery	1	19	5321322-23/1	Harness, ignition	1
04	8172110-08/5	Screw, hex washer head	2	20	8733504-00/8	Nut, hex, jam	1
05	5321082-36/3	Bracket, switch	2	21	8100904-00/5	Washer, lock	1
06	5321044-45/4	Switch, interlock	1	22	8747804-08/9	Bolt, hex, fin	2
07	5321095-53/0	Switch, interlock	1	23	8110504-00/1	Washer, lock, external tooth	2
08	8170210-08/5	Screw, hex head, tapping	6	24	5321315-63/1	Cover, terminal	1
09	5321221-47/4	Key, molded	1	25	5321090-81/2	Solenoid	1
10	5321236-20/9	Cover, ignition key	1	26	8747804-12/5	Bolt, hex head	2
11	5321242-11/8	Nut, ignition	1	27	8180910-16/9	Washer	2
12	5321251-04/2	Switch, ignition	1	28	8100404-00/8	Washer, lock	2
13	5321240-83/9	Cover, ignition switch	1	29	5321212-64/8	Cap, battery	2
14	5321247-56/0	Tie, cable	1	30	8732204-00/8	Nut, hex, fin	2
15	5321213-05/9	Switch, plunger	1				
16	8735105-00/2	Nut, hex, keps	1				

ALL HARDWARE IS SHOWN LARGER FOR IDENTIFICATION PURPOSES